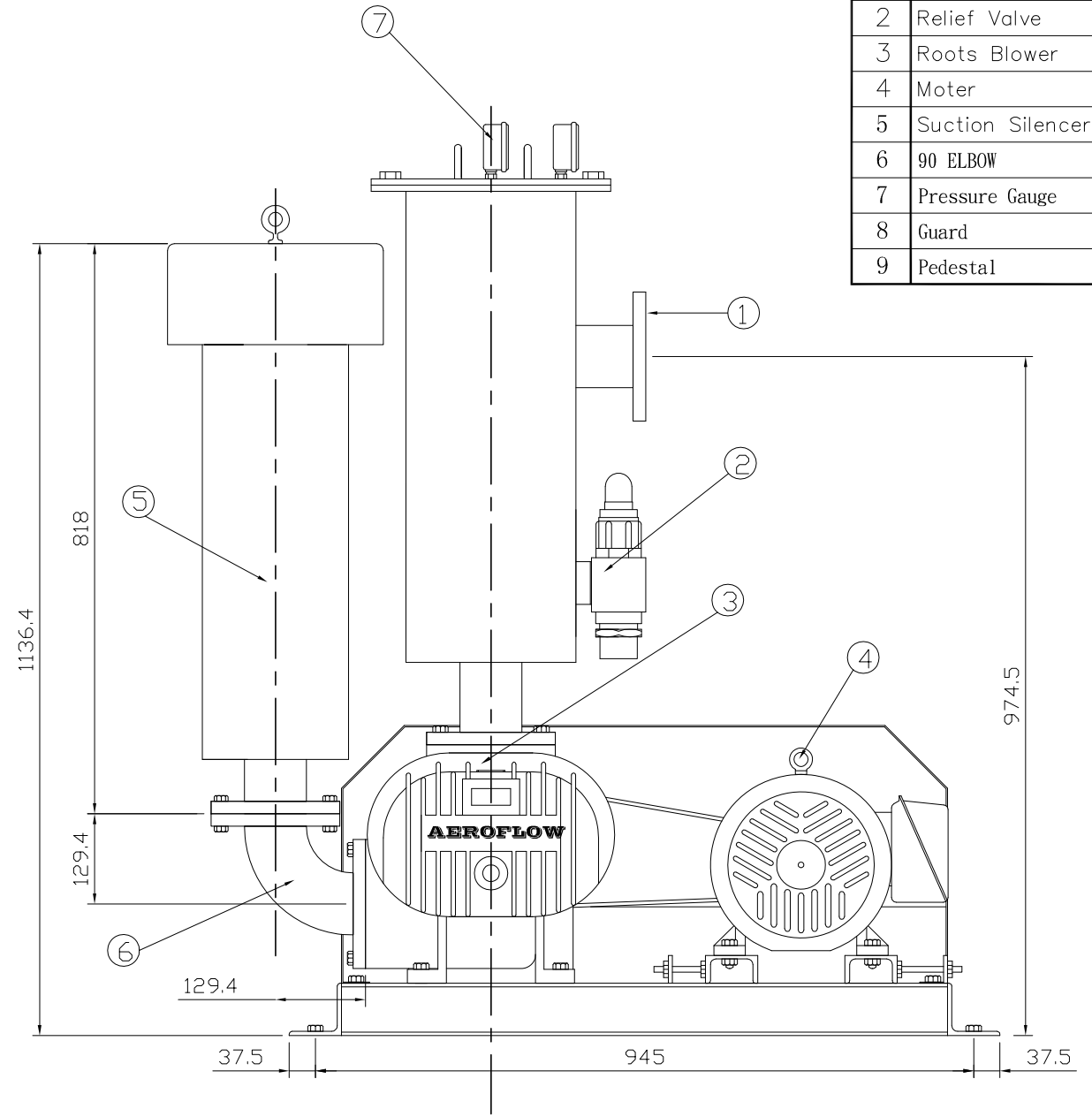
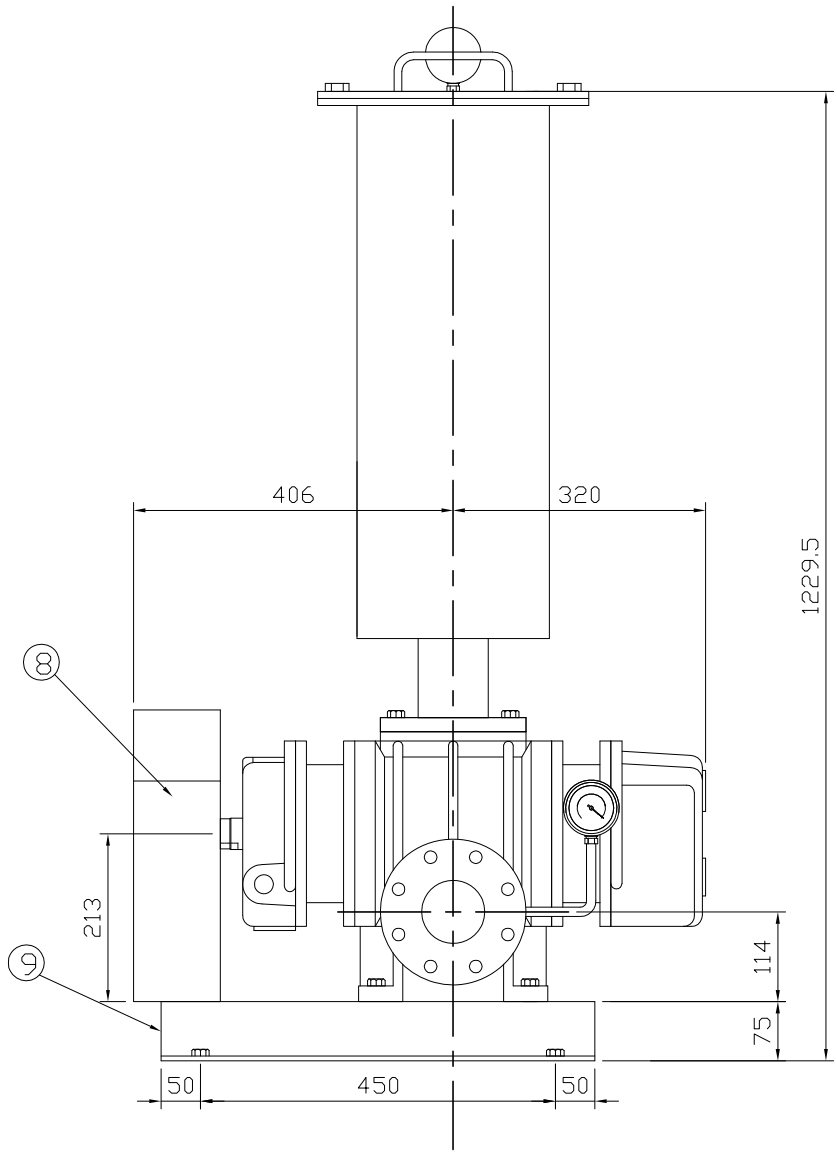


item	NAME
1	SUCTION FILTER TANK
2	Relief Valve
3	Roots Blower
4	Moter
5	Suction Silencer
6	90 ELBOW
7	Pressure Gauge
8	Guard
9	Pedestal



HEY-WEL  
MACHINERY CO., LTD.

Drawing Name		Type NO.		Drawing NO.		Material		Unit		Scale		Drew		Date	
Outline Drawing		RS-80		C308-H0		Assembly		mm		A4 1/16		koko		08. 12. 04	
Revision	Description	Revision	Description	Revise	Check	Approved	Projection								

