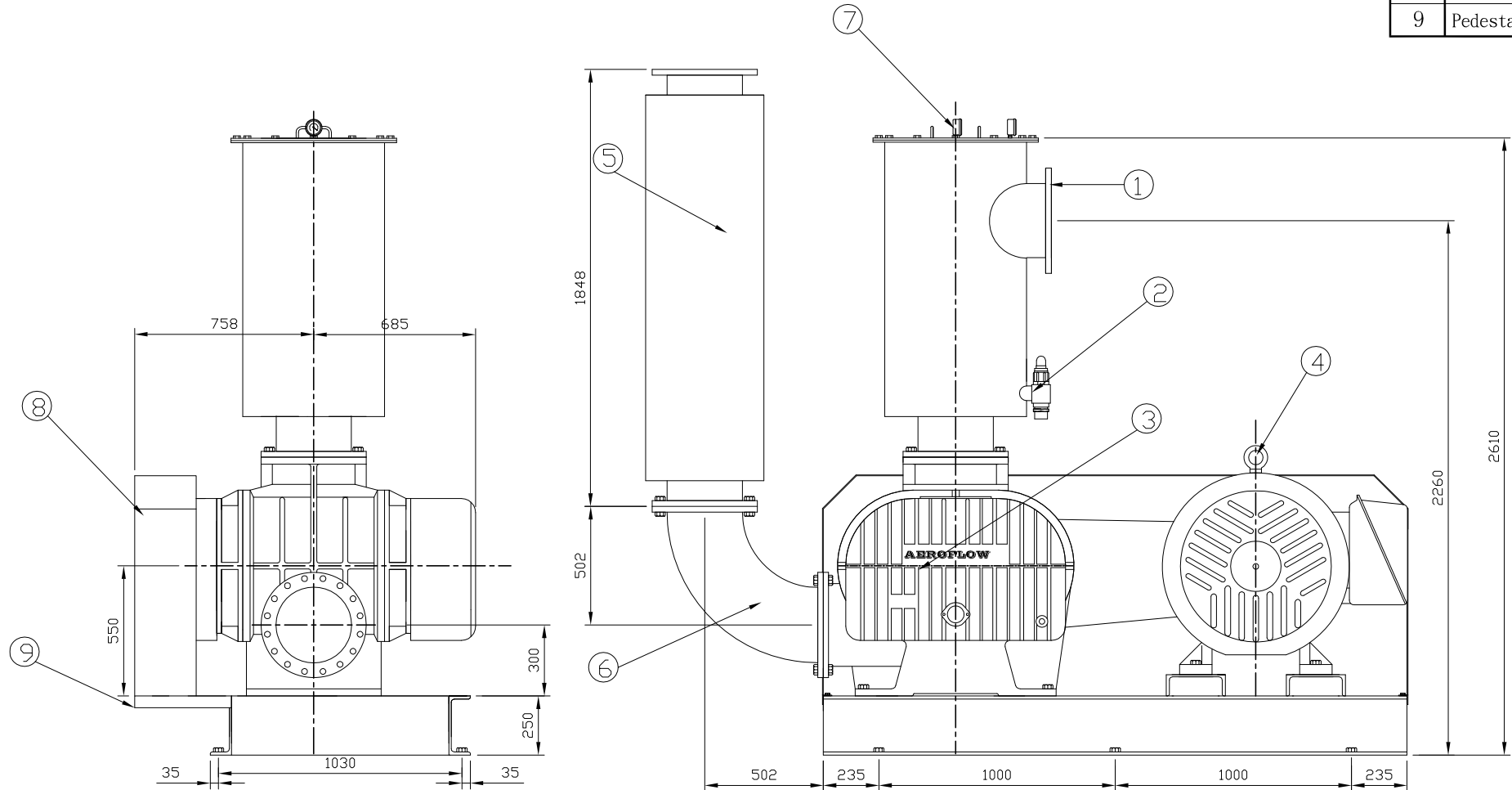


item	NAME
1	SUCTION FILTER TANK
2	Relief Valve
3	Roots Blower
4	Moter
5	Suction Silencer
6	90 ELBOW
7	Pressure Gauge
8	Guard
9	Pedestal



HEY-WEL  
MACHINERY CO., LTD.

Drawing Name	Type NO.	Drawing NO.	Material	Unit	Scale	Drew	Date
Outline Drawing	RSV-300	C320-H0	Assembly	mm	A4 1/16	koko	08. 12. 04
Revision	Description	Revision	Description	Revise	Check	Approved	Projection