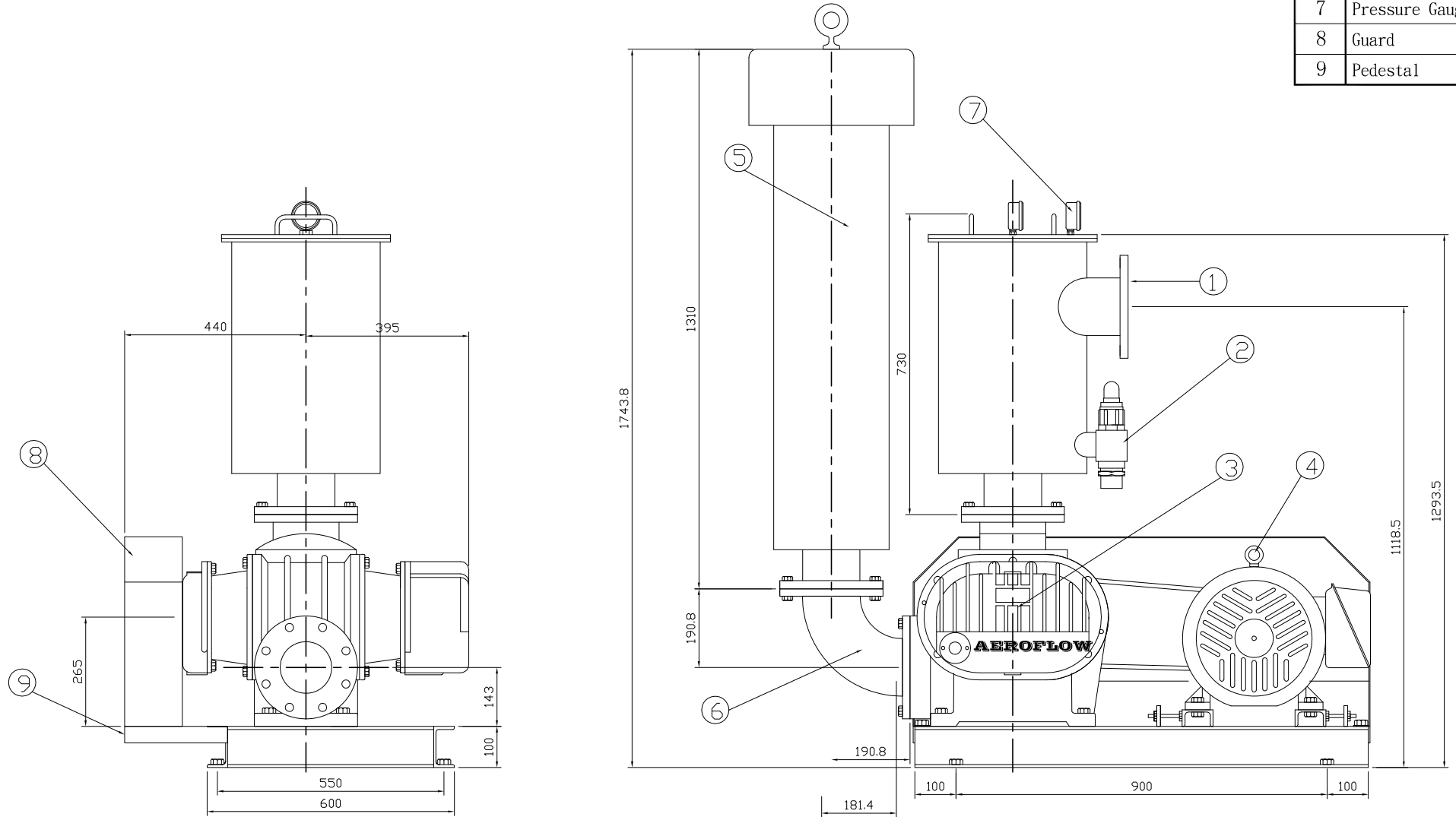


item	NAME
1	SUCTION FILTER TANK
2	Relief Valve
3	Roots Blower
4	Moter
5	Suction Silencer
6	90 ELBOW
7	Pressure Gauge
8	Guard
9	Pedestal



HEY-WEL
MACHINERY CO., LTD.

Drawing Name
Outline Drawing

Type NO.
RSV-125A

Drawing NO.
C311-H0

Material
Assembly

Unit
mm

Scale
A4 1/16

Drew
koko

Date
08. 12. 04

Revision

Description

Revision

Description

Revise

Check

Approved

Projection

