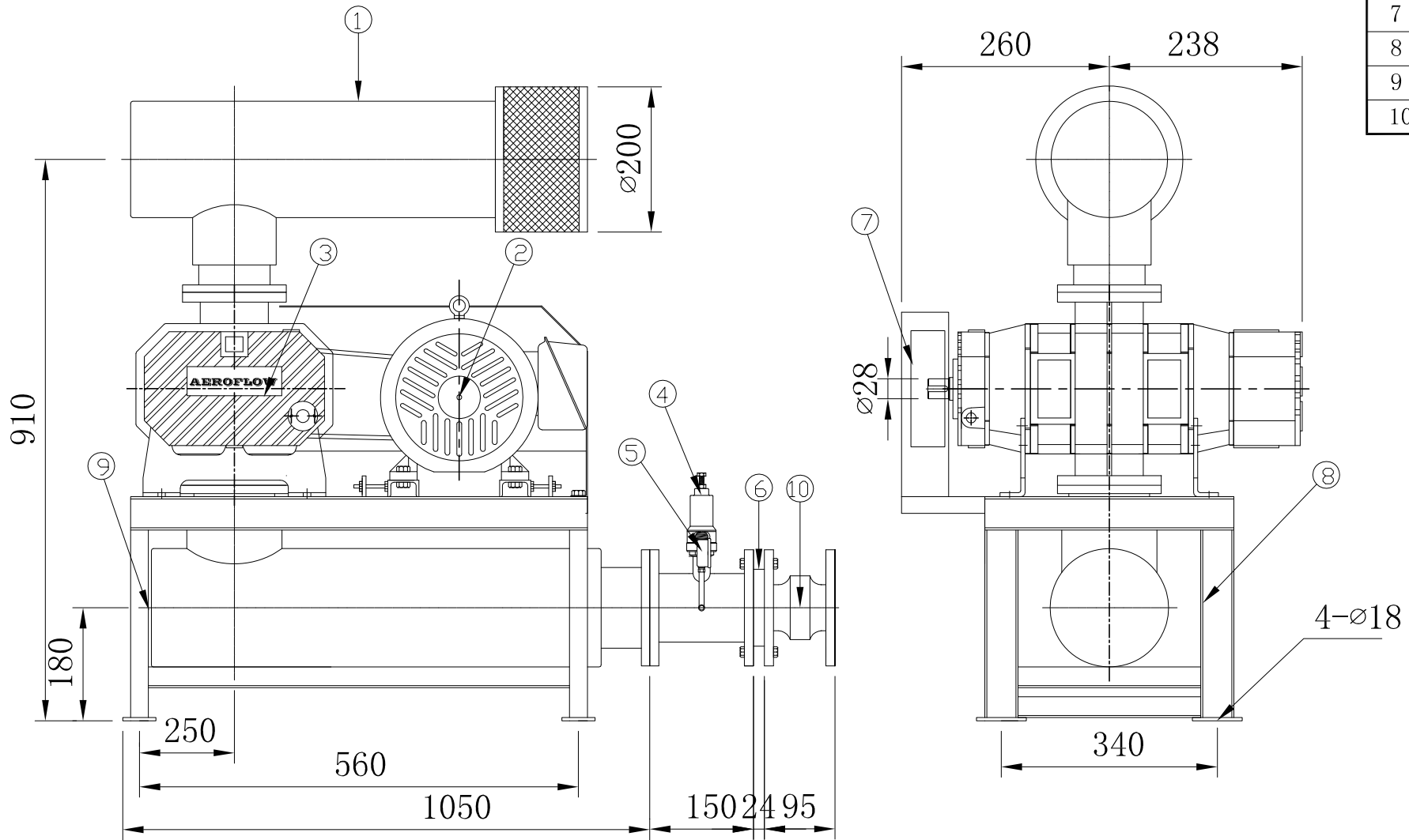


| item | NAME |
|------|--------------------|
| 1 | Suction Silencer |
| 2 | Moter |
| 3 | Roots Blower |
| 4 | Relief Valve |
| 5 | Pressure Gauge |
| 6 | cut-off valve |
| 7 | Guard |
| 8 | Pedestal |
| 9 | Discharge Silencer |
| 10 | Flexible Joint |



HEY-WEL
MACHINERY CO., LTD.

| Drawing Name | | Type NO. | | Drawing NO. | | Material | Unit | Scale | Drew | Date |
|-----------------|-------------|----------|-------------|-------------|-------|----------|------------|---------|------|------------|
| Outline Drawing | | EV-65 | | C506-A0 | | Assembly | mm | A4 1/16 | koko | 08. 12. 04 |
| Revision | Description | Revision | Description | Revise | Check | Approved | Projection | | | |